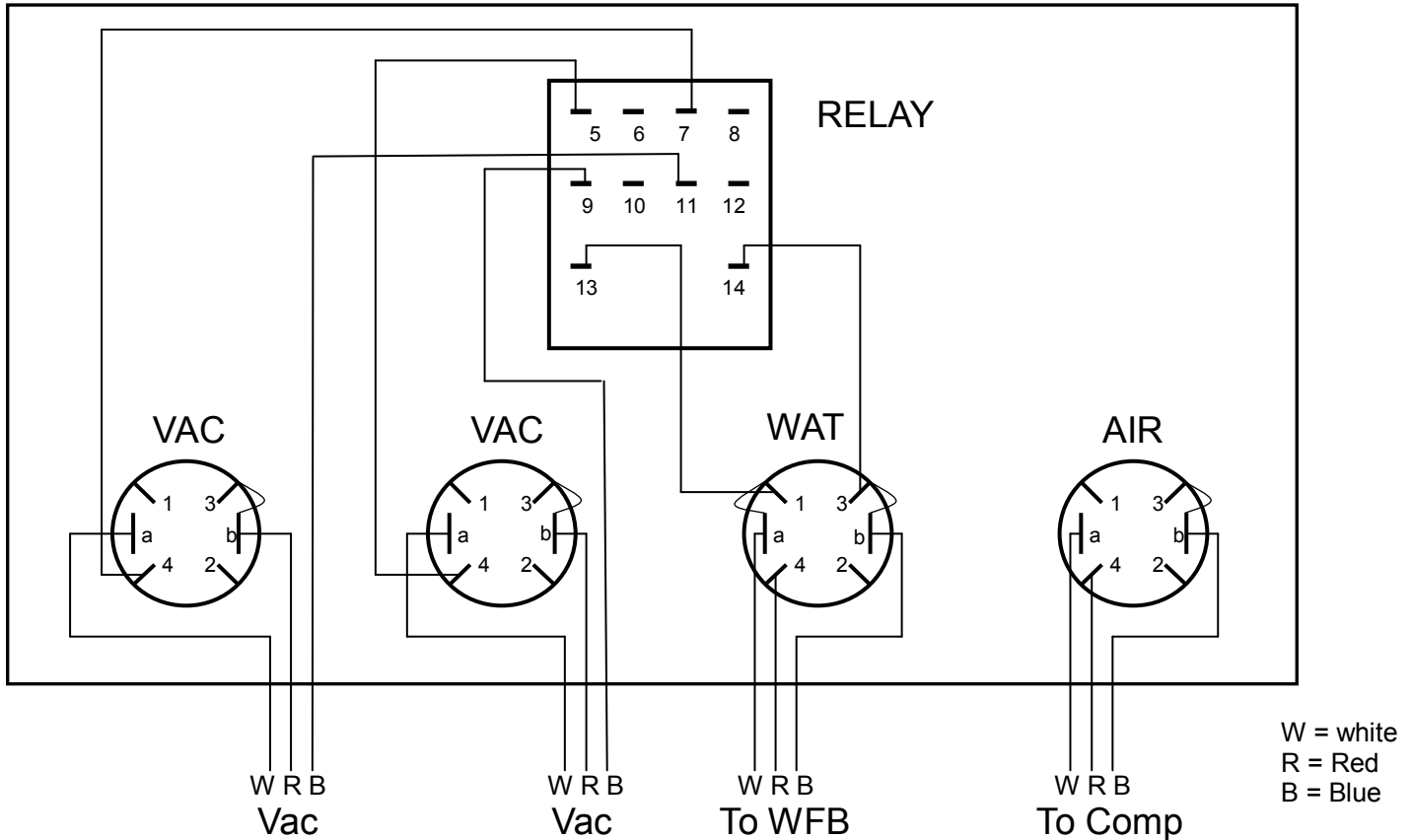




Control Panel Box

Installation and Operation Manual

JDS DENTAL PRODUCTS



Wiring Schematic (4 Switch)

Electrical Information

Note 1: As shown above, Control Panels equipped with a water control are wired such that the water switch must be in the "ON" position in order to activate the vacuum pump(s). This feature is provided as a protective measure to ensure that the vacuum pump(s) are not operated without water.

Note 2: In control panels without a water switch, the vacuum switch(es) are wired using the same configuration as the air switch above.

JDS Dental Products
21133 Norwalk Blvd, Hawaiian Gardens, CA 90716
562) 924-4300
SUPPORT@JD SMFG.COM
WWW.JD SMFG.COM